

Branch Connections



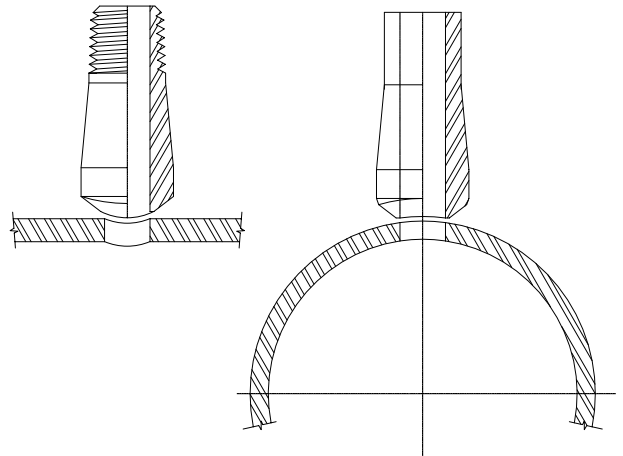
Notes:

WOI Branch Connections meet MSS-SP-97 2001 Ed.

Now Available Materials

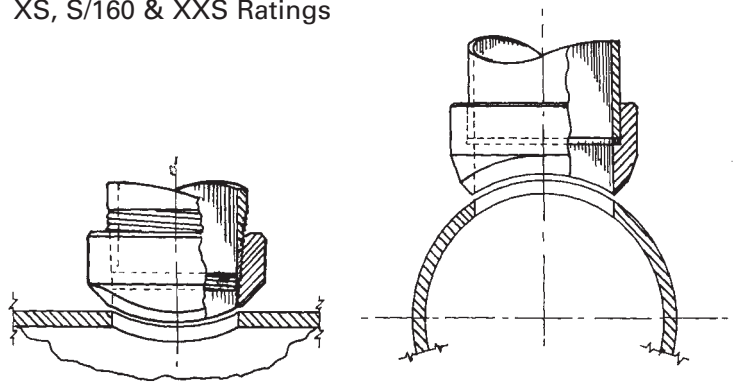
A182F304/L
A182F316/L
A182F321H
A182F347/H
A182F51 (Duplex)
A182F53
A182F55
A182F60
A694-F42-F70
B564-A400
B564-A600
B564-C276
B160-A200
B462-A20

Plus many more grades of material.



Extended Welding Outlets

1/2" - 4" Branchettes™
3 1/2" - 6 1/2" Standard Lengths
XS, S/160 & XXS Ratings



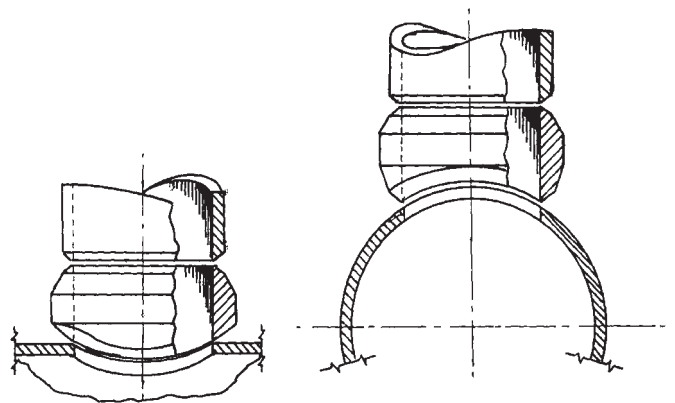
Threaded

ANSI/ASME B1.20.1

Socket-Weld

ASME B16.11

1/8" - 6" Branchettes™



Butt-Weld

1/4" - 60" Outlet
B/W Ends per B16.9 and B16.25