

FLANGED BRANCHETTE®



SIZE : 1/2 - 4 **IDENTIFICATION :** CL.150 THROUGH CL.2500
MATERIAL : ALL ASTM / ASME MATERIAL GRADES
PRODUCT CONFORMITY : MSS SP-97, ASME B16.5, B31.1, B31.3

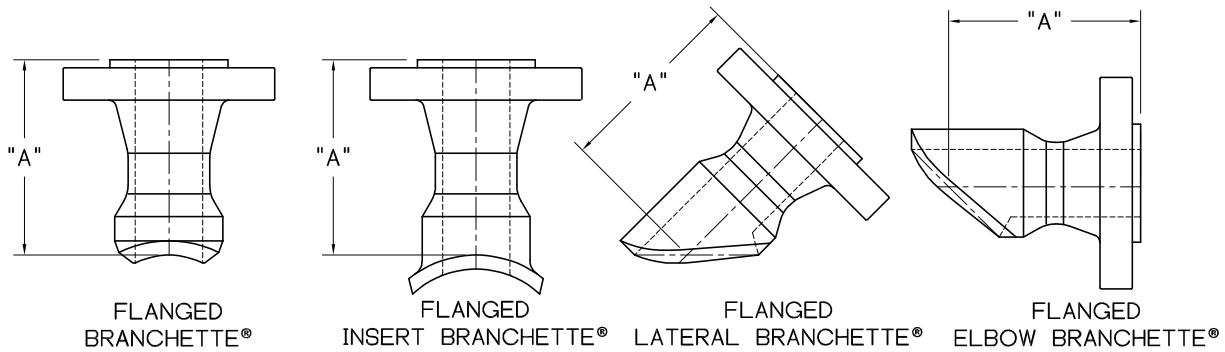
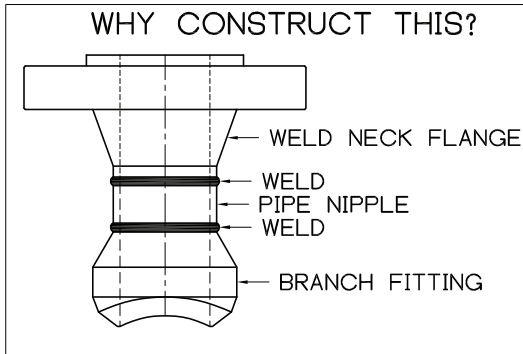
THE FLANGED BRANCHETTE® IS AVAILABLE WITH ANY STANDARD FACING AND WITH ANY SPECIFIED BORE. SPECIAL FACINGS MACHINED TO YOUR REQUIREMENTS CAN ALSO BE ACCOMMODATED. THE FLANGED BRANCHETTE® IS IDEAL FOR MULTIPLE MANIFOLD OUTLETS WHERE CONSISTENT FLANGE FACE HEIGHT IS REQUIRED. FLANGE DIMENSIONS AND TOLERANCES ARE IN ACCORDANCE WITH ASME B16.5.

ELIMINATE

- *3-PIECE CONSTRUCTION
- *2 MATERIAL TEST REPORTS
- *2 WELDS - 2 NDT INSPECTIONS (WHEN REQUIRED)
- *COSTLY FIT UP AND FABRICATION TIME
- *WELD PROTRUSION IN BORE AT WELD POINTS
- *INCONSISTENT FLANGE FACE HEIGHT

ADVANTAGES

- *1-PIECE CONSTRUCTION
- *1 MATERIAL TEST REPORT
- *1 WELD - 1 NDT INSPECTION (WHEN REQUIRED)
- *REDUCED FIT UP AND FABRICATION TIME
- *CONSISTENT FLANGE FACE HEIGHT
- *SMOOTH SEAMLESS BORE PROVIDES BETTER FLOW



FLANGED BRANCHETTE® FAMILY

CL.150		CL.300		CL.400/600		CL.900/1500		CL.2500	
NPS	A	NPS	A	NPS	A	NPS	A	NPS	A
1/2	6	1/2	6	1/2	6	1/2	6*	1/2	6*
3/4	6	3/4	6	3/4	6	3/4	6*	3/4	6*
1	6	1	6	1	6	1	6*	1	6*
1 1/4	6	1 1/4	6	1 1/4	6	1 1/4	6*	1 1/4	6*
1 1/2	6	1 1/2	6	1 1/2	6	1 1/2	6*	1 1/2	9
2	6	2	6	2	6	2	9	2	9

NOTES: CL.1500 AND 2500 FLANGED LATERAL AND ELBOW BRANCHETTES, A = 9.

SPECIAL DIMENSIONS AVAILABLE BY REQUEST

UNLESS SPECIFIED OTHERWISE, FLANGE DIMENSIONS ARE IN ACC. WITH ASME B16.5, LATEST EDITION