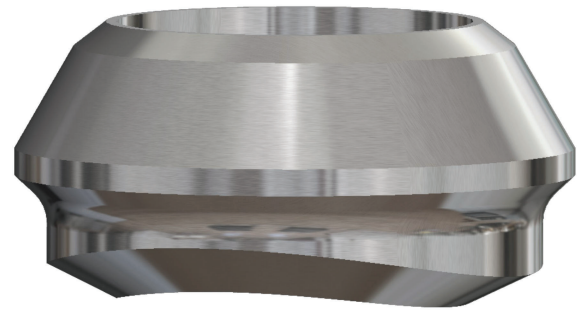


# LOW WELD VOLUME BRANCHETTES®

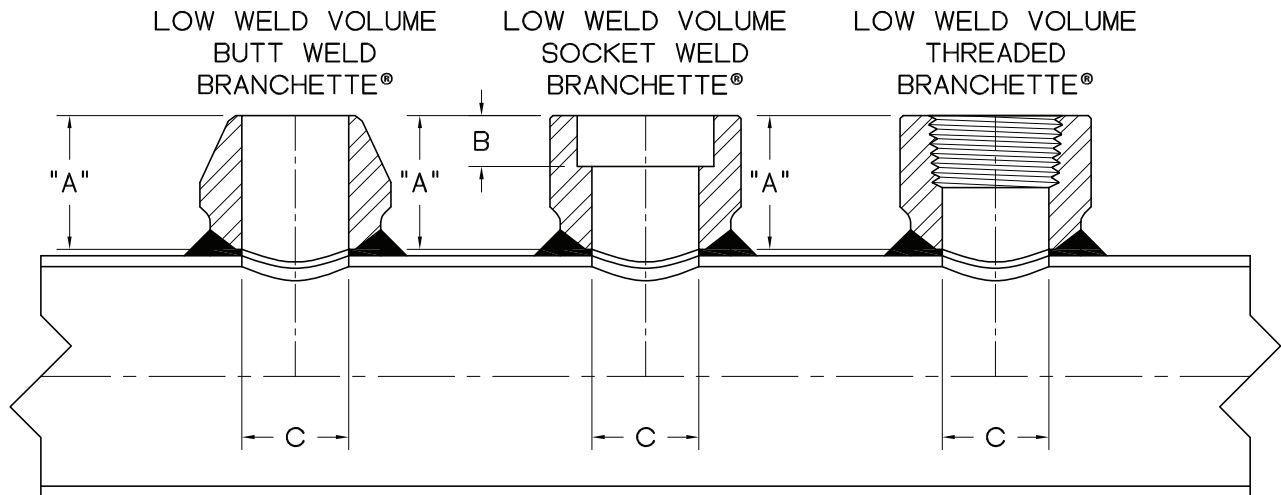


SIZE : 1/2 - 2

IDENTIFICATION: SCH.10s, SCH.40s CL.3000

MATERIAL : STAINLESS F304L & F316L

PRODUCT CONFORMITY : MSS SP-97, ASME B16.11, ASME B1.20.1 (NPT), ASME B31.1, ASME B31.3



REFERENCE:

ASME B31.1 PAR. 127.4.8 FIG 127.4.8(E)(a)

ASME B31.3 PAR. 328.5.4 FIG 328.5.4D(1)

**BASIC DIMENSIONS AND CONSOLIDATIONS**

NPS	SCH.10s BUTT WELD BRANCHETTE®			SOCKET WELD BRANCHETTE®				THREADED BRANCHETTE®		
	A	C	CONSOLIDATION	A	B	C	CONSOLIDATION	A	C	CONSOLIDATION
1/2	0.750	0.674	1 1/4 - 1/2 36 - 1 1/2	0.938	0.375	0.622	1 - 1/2 36 - 1 1/4	1.000	0.703	1/2 1 1/2 - 3/4 36 - 2
3/4	0.875	0.884	2 - 3/4 36 - 2 1/2	1.063	0.500	0.824	2 - 3/4 36 - 2 1/2	1.063	0.906	3/4 2 1/2 - 1 36 - 3
1	1.063	1.097	1 1/4 - 1 4 - 1 1/2 36 - 5	1.313	0.500	1.049	1 3 1/2 - 1 1/4 36 - 4	1.313	1.141	1 2 - 1 1/4 4 - 2 1/2 36 - 3
1 1/4	1.250	1.442	1 1/2 - 1 1/4 2 1/2 - 2 6 - 3 36 - 8	1.313	0.500	1.380	1 1/4 2 - 1 1/2 6 - 2 1/2 36 - 8	1.313	1.484	1 1/2 - 1 1/4 3 1/2 - 2 8 - 4 36 - 10
1 1/2	1.313	1.682	1 1/2 2 3 - 2 1/2 10 - 3 1/2 36 - 12	1.375	0.500	1.610	1 1/2 3 - 2 8 - 3 1/2 36 - 10	1.375	1.719	1 1/2 2 3 1/2 - 2 1/2 10 - 4 36 - 12
2	1.500	2.157	2 3 - 2 1/2 5 - 3 1/2 18 - 6 36 - 20	1.500	0.625	2.067	2 3 - 2 1/2 6 - 3 1/2 16 - 8 36 - 18	1.500	2.188	2 2 1/2 4 - 3 10 - 5 18 - 12 36 - 20