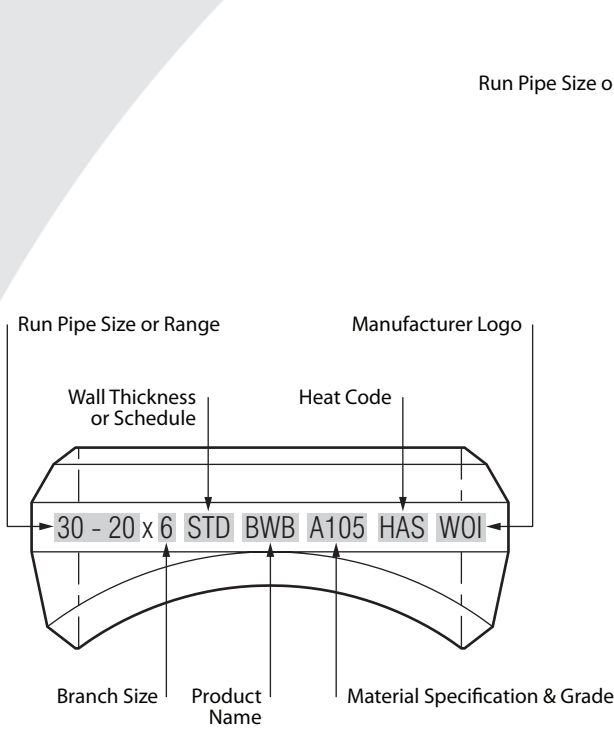


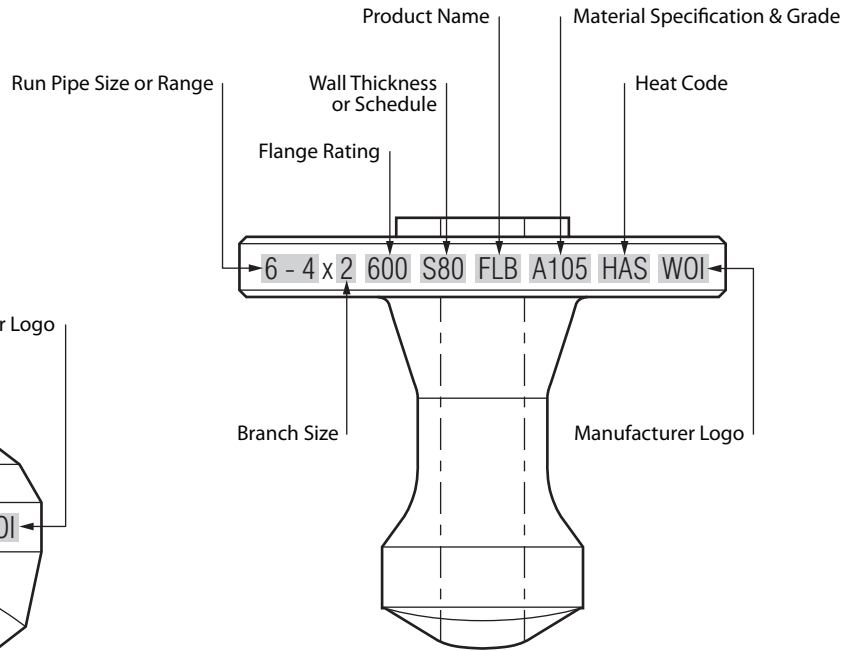
# Marking Details for WOI Branchettes



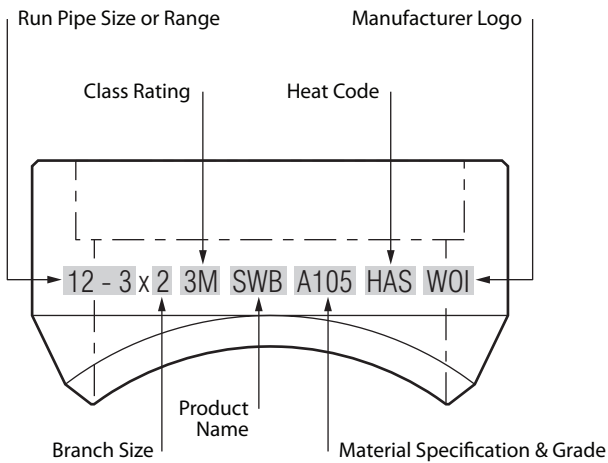
Phone: 281.590.0190 • Fax: 281.590.1415 • 24 Hour: 1.888.610.0777  
 ISO 9001:2008 & PED certified - Canadian registered in all provinces.



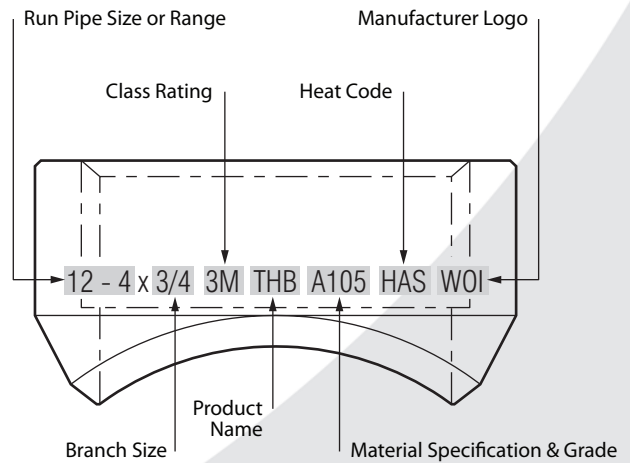
**Butt Weld Branchette® (BWB)**



**Flanged Branchette® (FLB)**



**Socket Weld Branchette® (SWB)**



**Threaded Branchette® (THB)**