

COUPLETS AND WELD BOSSES

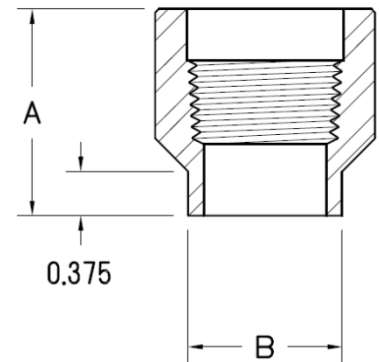
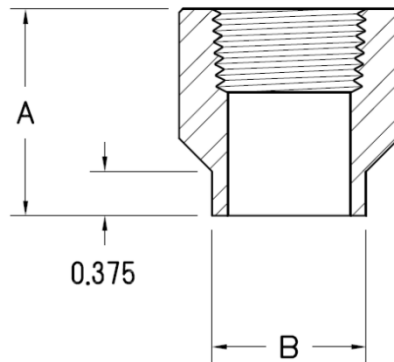
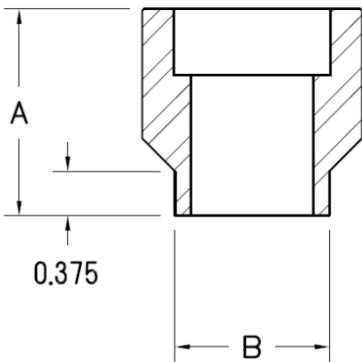


SIZE : 1/2 - 2 **CLASS :** 3000, 6000, 9000
MATERIAL : ALL ASTM / ASME MATERIAL GRADES
PRODUCT CONFORMITY : ASME B16.11, ASME B31.1, ASME B31.3

SOCKET-WELD
COUPLLET BOSS (SWCB)

THREADED
COUPLLET BOSS (THCB)

COMBINATION
COUPLLET BOSS (CBCB)

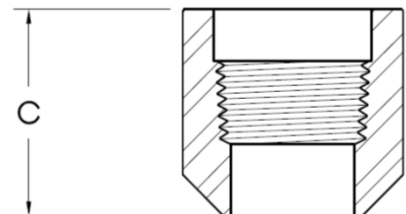
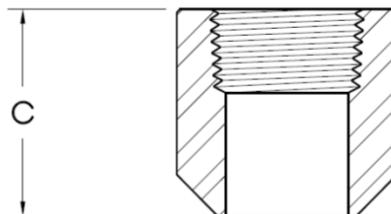
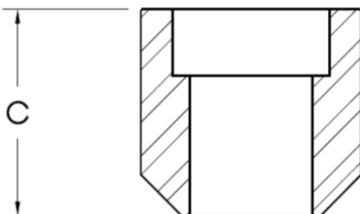


COUPLETS AND WELD BOSSES							
BASIC DIMENSIONS							
CLASS 3000 & 6000		0.5	0.75	1	1.25	1.5	2
A	SOCKET	1.313	1.375	1.688	1.875	2.000	2.250
	THREADED	1.313	1.375	1.688	1.875	2.000	2.250
	COMBINATION	1.688	1.875	2.188	2.375	2.500	2.875
B	SOCKET	0.938	1.063	1.313	1.688	1.938	2.438
	THREADED	0.938	1.063	1.313	1.688	1.938	2.438
	COMBINATION	0.938	1.063	1.313	1.688	1.938	2.438
C	SOCKET	1.250	1.438	1.625	1.688	1.750	2.250
	THREADED	0.938	1.000	1.188	1.313	1.563	1.688
	COMBINATION	1.313	1.500	1.688	1.813	2.063	1.313

SOCKET-WELD
WELD BOSS (SWWB)

THREADED
WELD BOSS (THWB)

COMBINATION
WELD BOSS (CBWB)



NOTES: 1. SPECIAL DIMENSIONS AVAILABLE UPON REQUEST