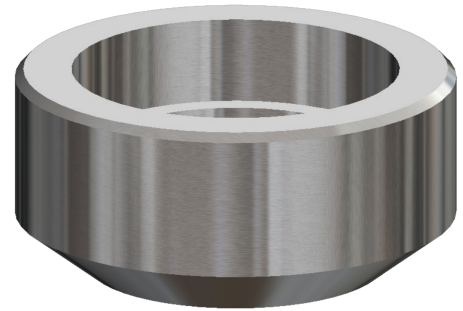
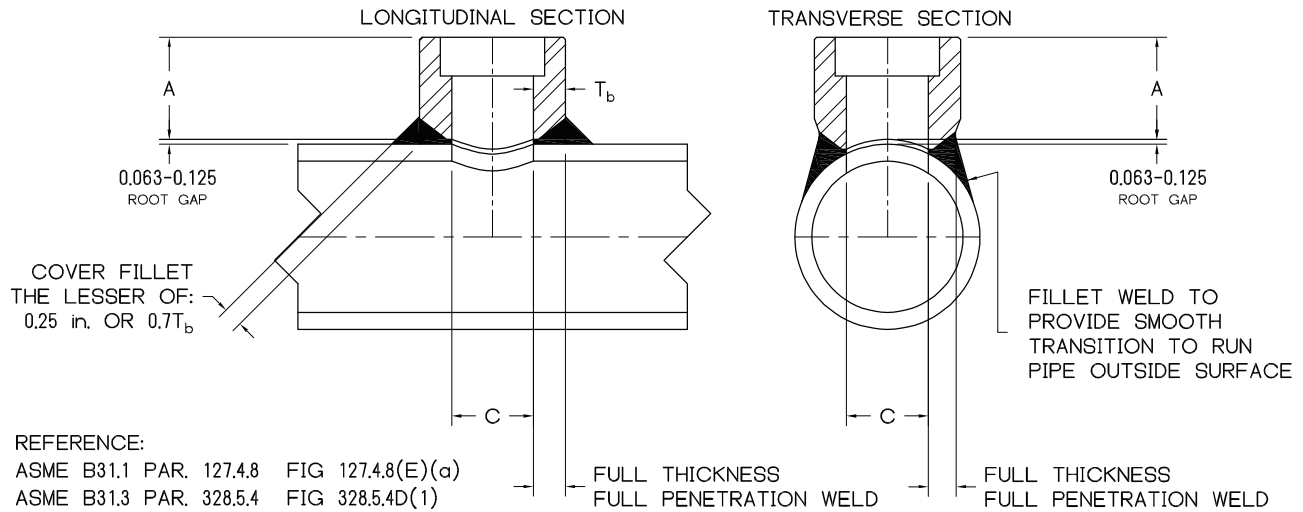


# SOCKET WELD BRANCHETTE®



**SIZE :** 1/8 - 4      **CLASS :** 3000, 6000, 9000  
**MATERIAL :** ALL ASTM / ASME MATERIAL GRADES  
**PRODUCT CONFORMITY :** MSS SP-97, ASME B16.11, ASME B31.1, ASME B31.3



DIMENSIONS AND CONSOLIDATIONS													
NPS	SOCKET DEPTH	CL.3000 ( 3M )				CL.6000 ( 6M )				CL.9000 ( 9M )			
		RUN PIPE CORRELATION: X-STG				RUN PIPE CORRELATION: SCH.160				RUN PIPE CORRELATION: XX-STG			
		A	C	WT	CONSOLIDATION	A	C	WT	CONSOLIDATION	A	C	WT	CONSOLIDATION
1/8	0.375	3/4	0.269	0.11	36 - 1/8								
1/4	0.375	3/4	0.364	0.14	1/4 36 - 3/8								
3/8	0.375	13/16	0.493	0.14	1/2 - 3/8 36 - 3/4								
1/2	0.375	15/16	0.622	0.28	1 - 1/2 36 - 1 1/4	1 1/4	0.464	0.28	1/2 36 - 3/4	1 1/4	0.252	0.50	36 - 1/2
3/4	0.500	1 1/16	0.824	0.39	2 - 3/4 36 - 2 1/2	1 7/16	0.612	0.39	1 - 3/4 36 - 1 1/4	1 7/16	0.434	0.74	3/4 36 - 1
1	0.500	1 5/16	1.049	0.73	1 3 1/2 - 1 1/4 36 - 4	1 9/16	0.815	0.73	2 - 1 36 - 2 1/2	1 9/16	0.599	1.12	1 36 - 1 1/4
1 1/4	0.500	1 5/16	1.380	0.96	1 1/4 2 - 1 1/2 6 - 2 1/2 36 - 8	1 5/8	1.160	0.96	1 1/4 4 - 1 1/2 3 6 - 5	1 5/8	0.896	1.65	2 1/2 - 1 1/4 36 - 3
1 1/2	0.500	1 3/8	1.610	1.12	1 1/2 3 - 2 8 - 3 1/2 36 - 10	1 11/16	1.338	1.63	2 1/2 - 1 1/2 6 - 3 36 - 8	1 11/16	1.100	2.00	2 1/2 - 1 1/2 3 1/2 - 3 36 - 4
2	0.625	1 1/2	2.067	1.66	2 3 - 2 1/2 6 - 3 1/2 16 - 8 36 - 18	2	1.687	1.66	2 3 - 2 1/2 10 - 3 1/2 36 - 12	2	1.503	3.32	2 1/2 - 2 3 1/2 - 3 36 - 4

NOTES : 1. LARGER SIZES AND SPECIAL DIMENSIONS AVAILABLE      2. TYPICAL SOCKET DEPTH TOLERANCE: +.063 / - .000  
 3. T<sub>b</sub> AVAILABLE UPON REQUEST      4. WEIGHTS BASED ON CARBON STEEL