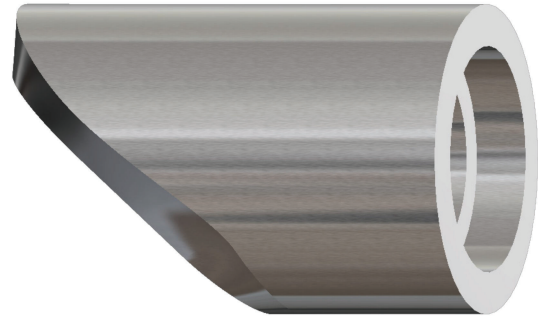


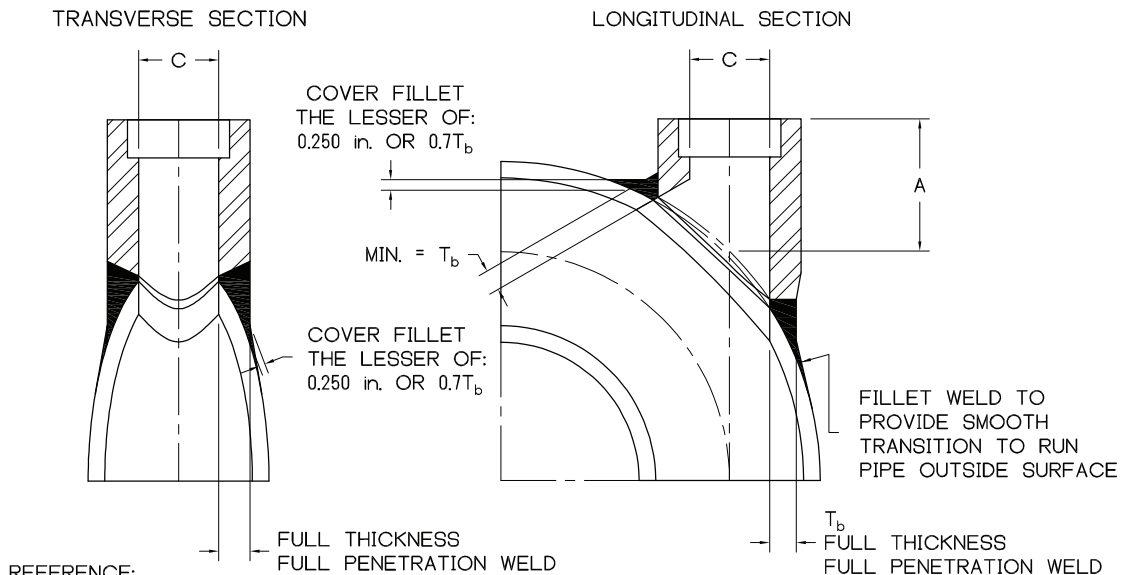
SOCKET WELD ELBOW BRANCHETTE®



SIZE : 1/4 - 2 **IDENTIFICATION :** 3000, 6000, 9000

MATERIAL : ALL ASTM / ASME MATERIAL GRADES

PRODUCT CONFORMITY : MSS SP-97, ASME B16.11, ASME B31.1, ASME B31.3



REFERENCE:
ASME B31.1 PAR. 127.4.8 FIG 127.4.8(E)(c)

COVER FILLET NOTE: The minimum cover weld throat thickness applies when the angle between the branch fitting groove weld face and the run pipe surface is less than 135 deg. For areas where the angle between the groove weld face and the run pipe surface is 135 deg or greater, the cover weld may transition to nothing. Cover fillet shall provide a smooth transition to run pipe.

DIMENSIONS AND CONSOLIDATIONS

NPS	SOCKET DEPTH	CL.3000 (3M)			CL.6000 (6M)			CL.9000 (9M)		
		RUN PIPE CORRELATION: X-STG			RUN PIPE CORRELATION: SCH.160			RUN PIPE CORRELATION: XX-STG		
		A	C	CONSOLIDATION	A	C	CONSOLIDATION	A	C	CONSOLIDATION
1/4	0.375	1.188	0.364							
3/8	0.375	1.375	0.493							
1/2	0.375	1.563	0.622	36 - 3/4	1.938	0.464	36 - 3/4	2.063	0.252	36 - 3/4
3/4	0.375	1.875	0.824	36 - 1	2.313	0.612	36 - 1	2.375	0.434	36 - 1
1	0.500	2.188	1.049	36 - 2	2.563	0.815	36 - 2	2.688	0.599	36 - 2
1 1/4	0.500	2.500	1.380	36 - 2	2.813	1.160	36 - 2	3.000	0.896	36 - 2
1 1/2	0.500	2.625	1.610	36 - 2	3.188	1.338	36 - 2	3.188	1.100	36 - 2
2	0.625	3.063	2.067	36 - 3	3.688	1.687	36 - 3	3.813	1.503	36 - 3

NOTES : 1. LARGER SIZES AND SPECIAL DIMENSIONS AVAILABLE

2. T_b AVAILABLE UPON REQUEST

3. TYPICAL SOCKET DEPTH TOLERANCE: +.063 / - .000